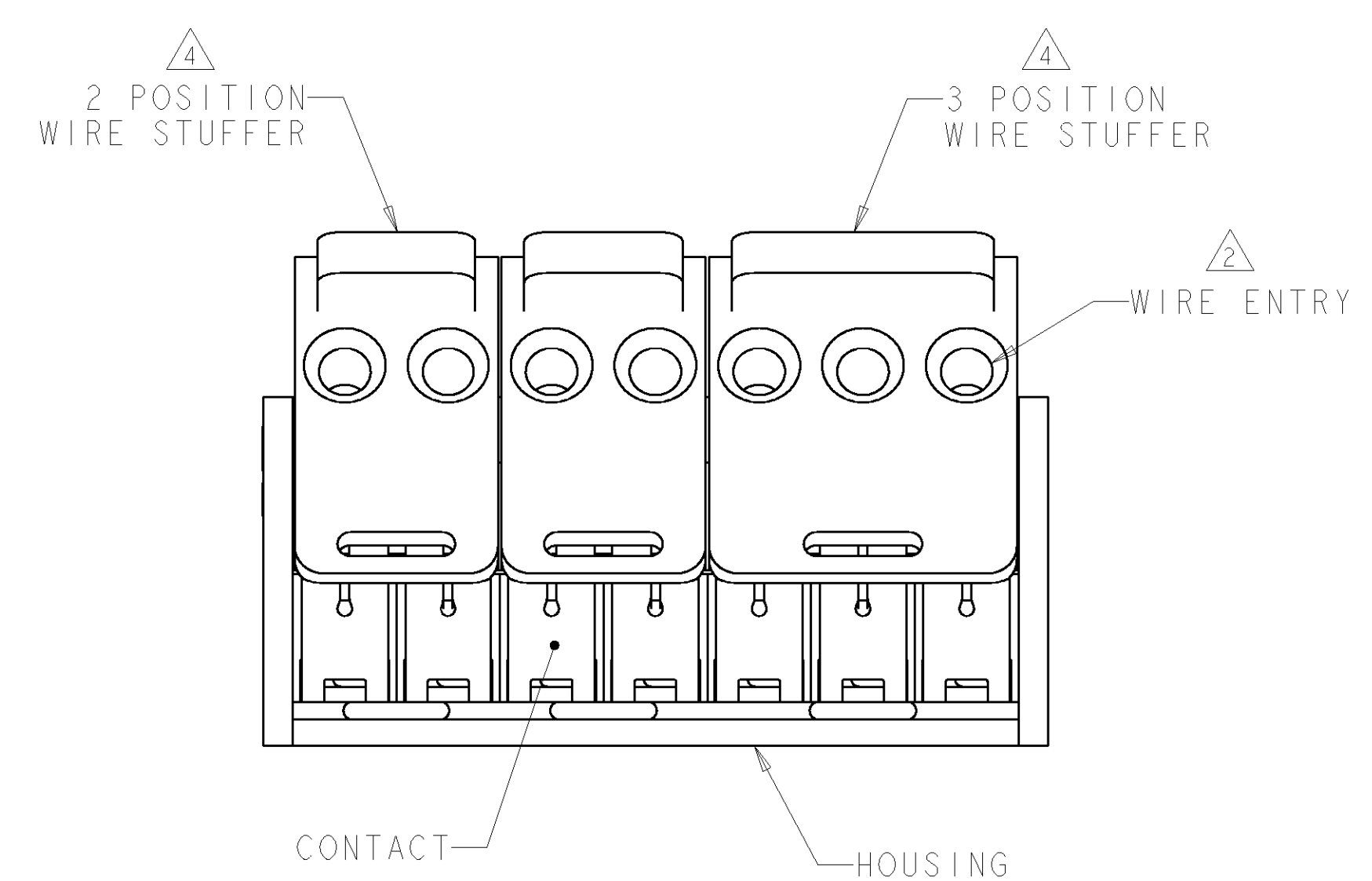
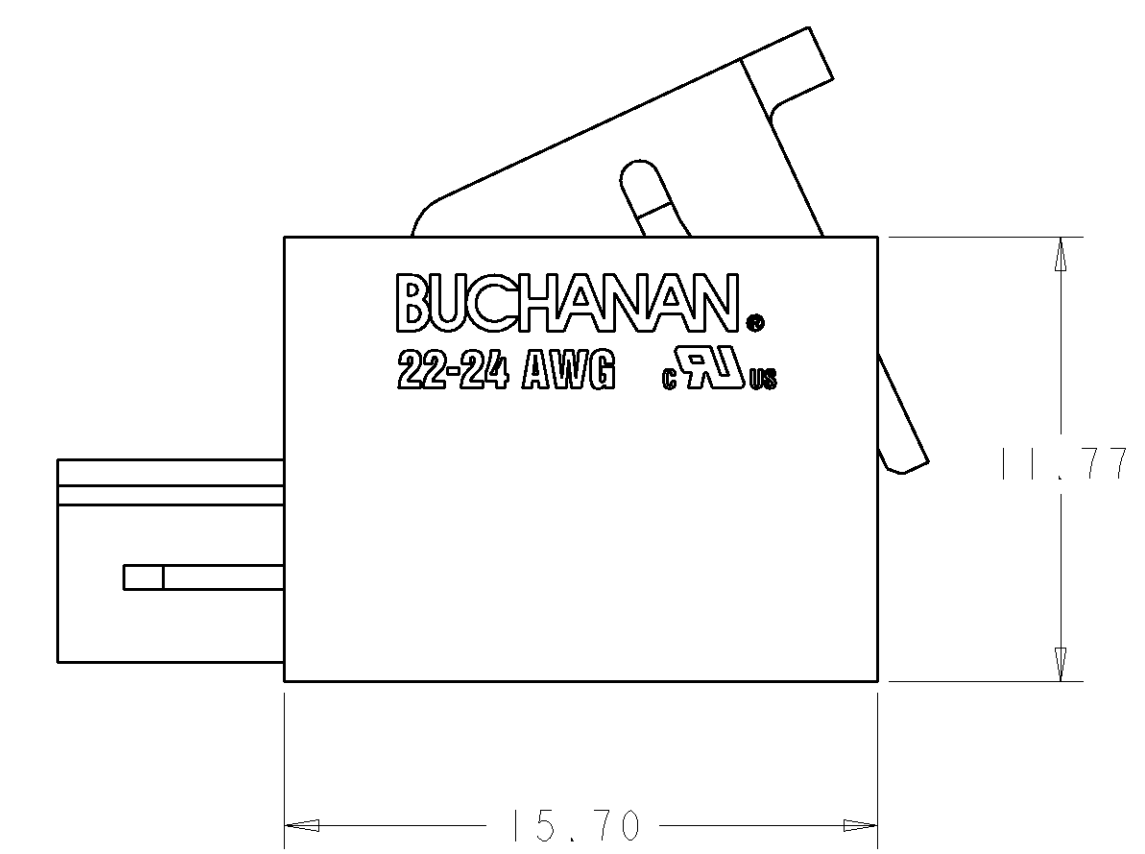
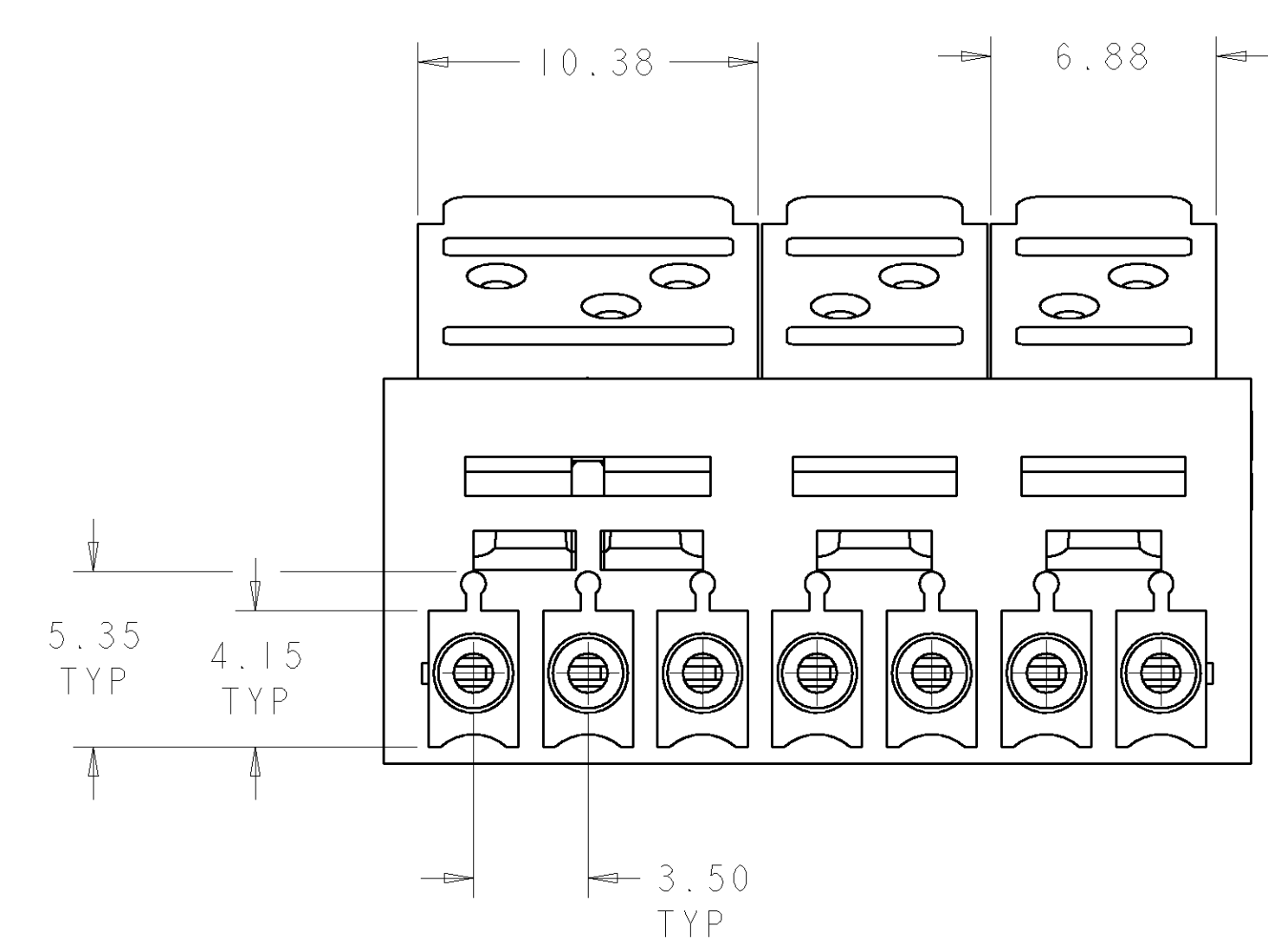
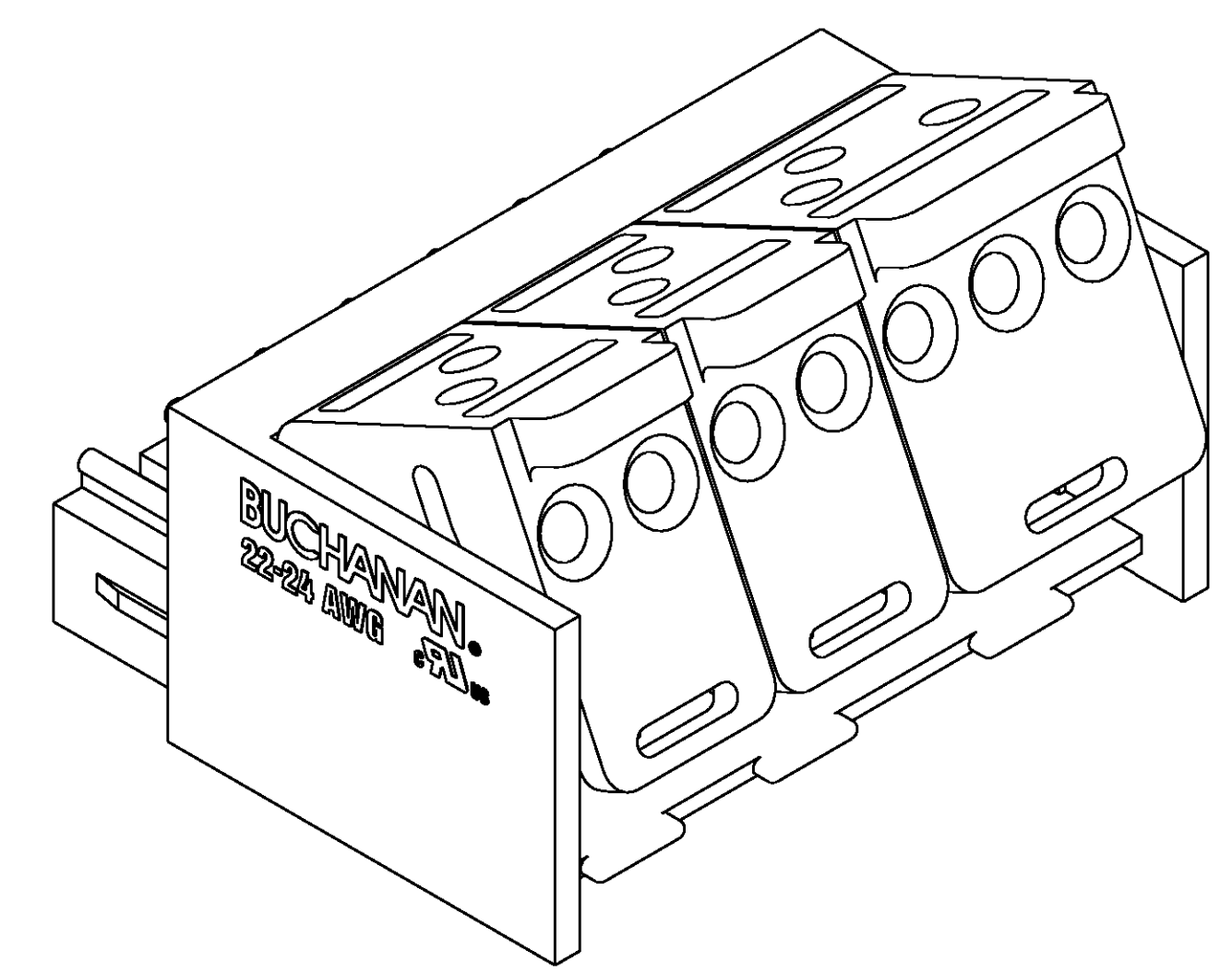
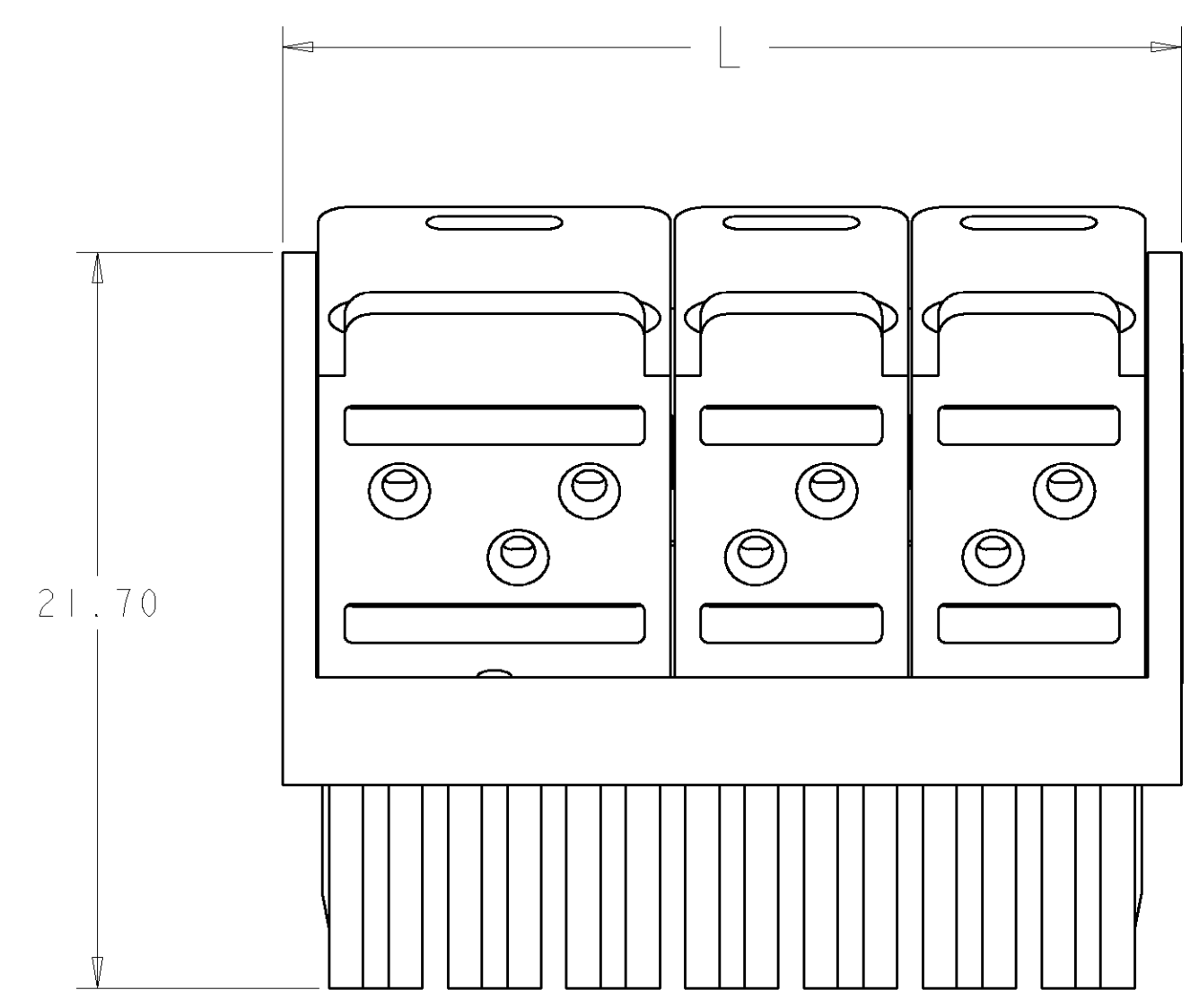


LOC		DIST		REVISIONS			
FT	0	P	LTR	DESCRIPTION	DATE	DWN	APVD
		0		RELEASED EC 0638-0963-04	18MAR2005	SW	CR



- 1 MATERIAL AND FINISH:
 HOUSING: POLYESTER, COLOR: GREEN.
 WIRE STUFFERS: POLYCARBONATE, COLOR: CLEAR.
 CONTACT: COPPER ALLOY, 3.00µm MINIMUM TIN OVER 1.27µm NICKEL.
- 2 WIRE ENTRY ACCEPTS ONE UNSTRIPPED, STRANDED OR SOLID COPPER 22-24 AWG WIRE WITH A MAXIMUM INSULATION DIAMETER OF 1.52mm. RECOMMENDED WIRE INSULATION IS PVC. THIS CONNECTOR MAY NOT FUNCTION CORRECTLY WITH SRPVC OR ANY OTHER RIGID OR SEMI-RIGID INSULATION. CONTACT TYCO FOR ALL OTHER WIRE INSULATION APPROVAL BEFORE USE.
- 3. MATES WITH 3.5mm OPEN AND CLOSED-END INDUSTRY STANDARD HEADERS.
- 4 ODD POSITION ASSEMBLIES USE ONE 3 POSITION WIRE STUFFER LOCATED OVER THE LAST THREE POSITIONS AS SHOWN AND 2 POSITION WIRE STUFFERS FOR REMAINING POSITIONS.
- 5. ASSEMBLIES SHIPPED WITH WIRE STUFFERS IN THE OPEN POSITION.

58.00	16	1-1776282-6
54.50	15	1-1776282-5
51.00	14	1-1776282-4
47.50	13	1-1776282-3
44.00	12	1-1776282-2
40.50	11	1-1776282-1
37.00	10	1-1776282-0
33.50	9	1776282-9
30.00	8	1776282-8
26.50	7	1776282-7
23.00	6	1776282-6
19.50	5	1776282-5
16.00	4	1776282-4
12.50	3	1776282-3
9.00	2	1776282-2
L	NO OF POSN	PART NUMBER

DIMENSIONS:		TOLERANCES UNLESS OTHERWISE SPECIFIED:		DWN S. WELDON 18MAR2005		ECHK C. RICHARD 18MAR2005		APVD C. RICHARD 18MAR2005		NAME	
mm		0 PLC ±.5		1 PLC ±0.13		2 PLC ±0.13		3 PLC ±0.000		4 PLC ±0.000	
MATERIAL		FINISH		WEIGHT		SCALE		SHEET		REV	
-		-		-		5:1		1 OF 1		0	
CUSTOMER DRAWING				BUCHANAN Tyco Electronics Harrisburg, PA 17105-3608				PIVOT BLOCK ASSEMBLY, 22-24 AWG, GREEN, 3.5mm			
SIZE CAGE CODE DRAWING NO				RESTRICTED TO				A1 00779 C=1776282			